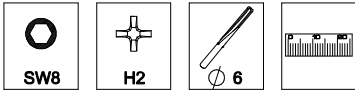
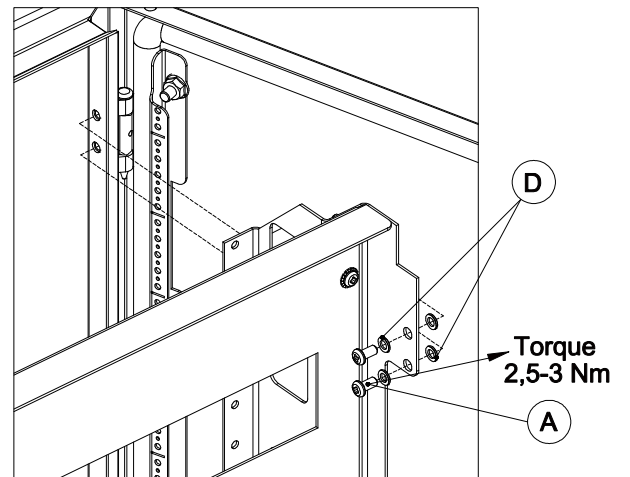
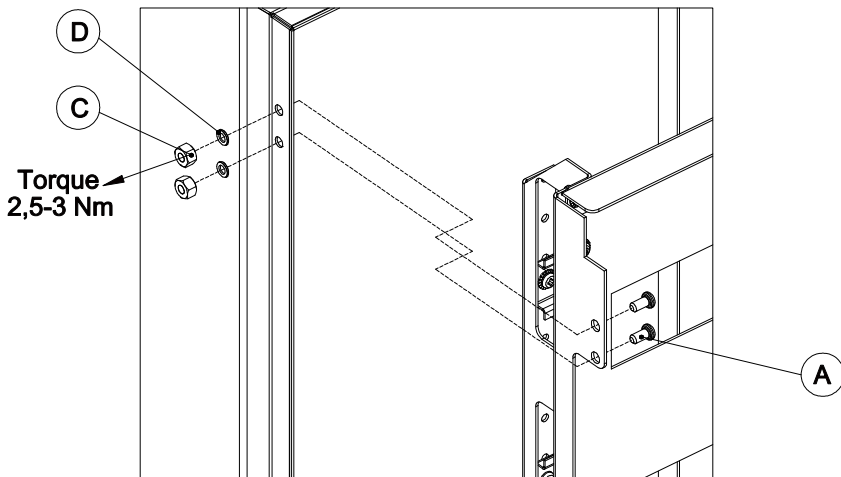
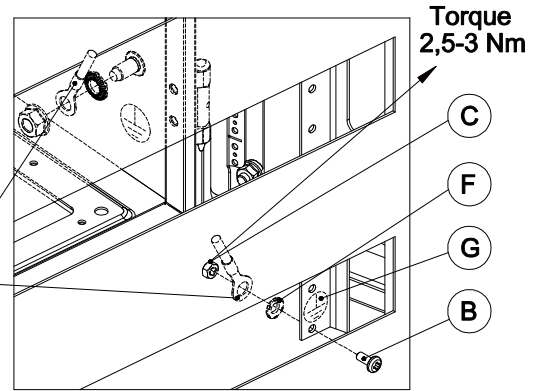
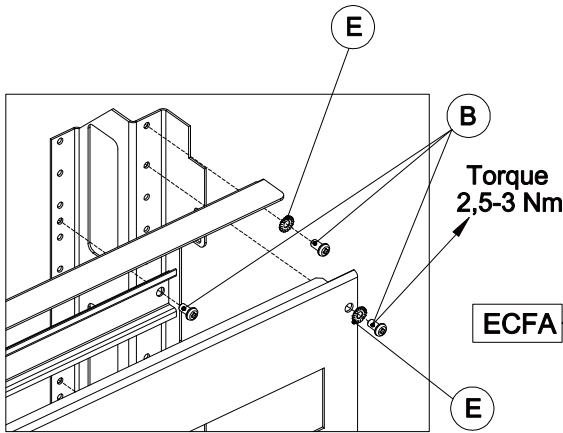
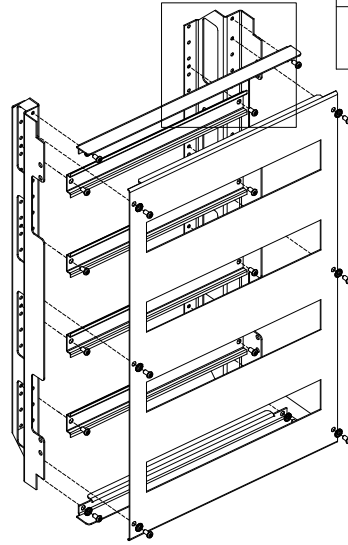
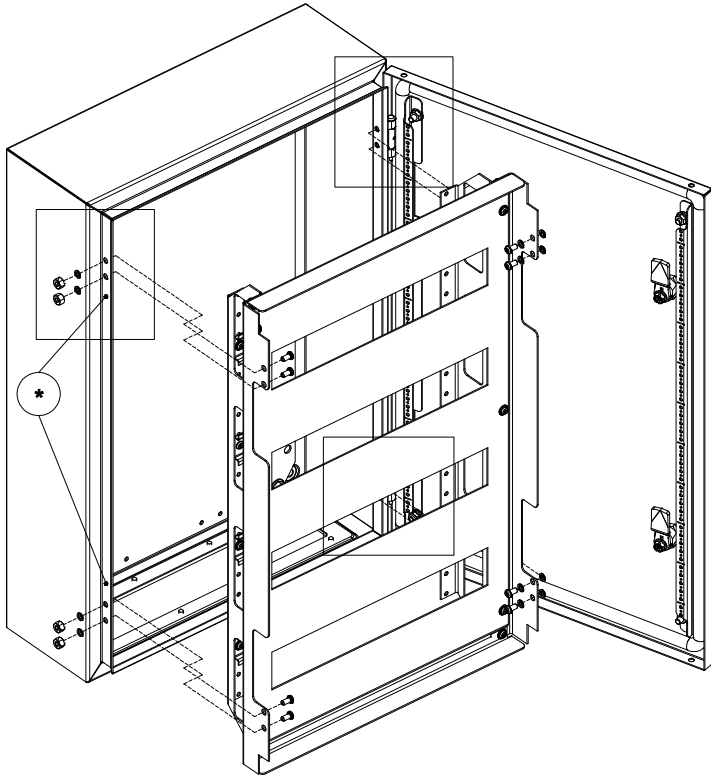


AC



Ref.	Pic.	H (mm)	300 500	600 1000
A	M5x8		8	8
B	M5x10		17	27
C	M5		5	5
D	M5 Nylon		12	12
E	M5		10	10
F	M6		1	1
G	M5		1	1



* - Machining needed only on stainless steel enclosures